



Product Specification Sheet

Acclaim Axial Zoomspot



The latest in compact filament lamps is combined with the efficiency of axial reflector systems and Selecon's custom optical design to produce an ellipsoidal fixture with precise beam control necessary for front stage lighting from auditorium positions.

The high quality beam is equally useful for pattern projection. The Acclaim Axial offers efficiency, strength and performance with a choice of two beam angle ranges.

Features

Available in 18° - 34° or 24° - 44° beam angles.

Interchangeable lens tray between Medium and Wide versions, no tools required.

Hot mirror technology reduces the heat in the beam to protect patterns and color filter.

Adjustable beam Peak-Flat setting using central planetary gear.

Slot provided for Iris or rotatable (35°) pattern holder.

Cranked yoke with adjustable balance point.

Heat is managed out of the fixture through a combination of controlled infra red reflections; heat sinks and engineered air flow. Heat sensitive components such as the lamp socket and cabling are protected minimizing maintenance costs.

Lamps: 115V

575W GLC
15,000 lumens 400hrs average life

575W GLA
13,500 lumens 1500hrs average life

Order codes

12ACX1834	Acclaim Axial 18°-34° Zoomspot
12ACX2444	Acclaim Axial 24°-44° Zoomspot
15ACIRIS	Acclaim iris
15ACGH	Acclaim rotatable pattern holder
15ACAX1834LT	Acclaim Axial 18°-34° lens tray
15ACAX2444LT	Acclaim Axial 24°-44° lens tray
15ACSM	Lens safety mesh
20SC	Safety bond

Approvals

Automatic disconnection of power on removal of lamp module. ETL / cETL listed to UL 1573.



Photometric data

Tests conducted using standard Philips lamps.

		Beam Diameter in ft								
Beam angle in ft	18 °	0.0	2.2	4.1	6.7	8.9	11.1	13.3	15.5	17.7
Beam angle in ft	34 °	0.0	4.3	7.9	12.8	17.1	21.4	25.7	30.0	34.2
Beam angle in ft	24 °	0.0	3.0	5.5	8.9	11.9	14.9	17.9	20.8	23.8
Beam angle in ft	44 °	0.0	5.7	10.5	17.0	22.6	28.3	33.9	39.6	45.3

Throw Distance in ft		0	7	13	21	28	35	42	49	56
Lamp		Light Output in Footcandles								
115V GLC 575W	18°	Peak	2694	781	299	168	108	75	55	42
		Flat	1835	532	204	115	73	51	37	29
	34°	Peak	1707	495	190	107	68	47	35	27
		Flat	848	246	94	53	34	24	17	13
	24°	Peak	1994	578	222	125	80	55	41	31
		Flat	897	260	100	56	36	25	18	14
	44°	Peak	938	272	104	59	38	26	19	15
		Flat	500	145	56	31	20	14	10	8

Physical data

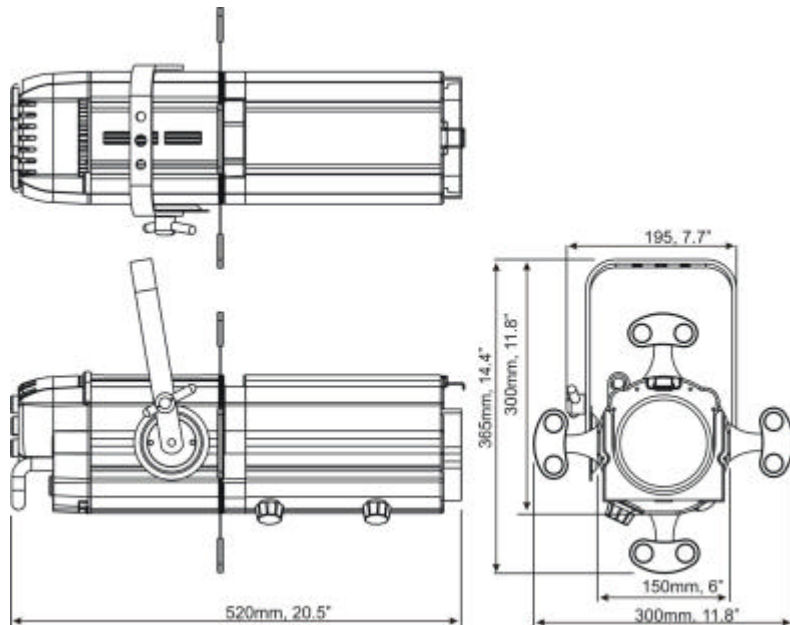
Weight: 12 lb 5 oz

Color Frame Size: 4 7/8" x 4 7/8"

Gobo Size: M size

Gobo Holder Width: 3 3/4"

Included: 4x shutters, 1x color frame, 1x suspension bolt set, instruction sheet.



Selecon reserves the right to change the specifications without notice (June 2008).