

Job Name: Fixture Type: Qty:

Ellipsoidals by Times Square Lighting



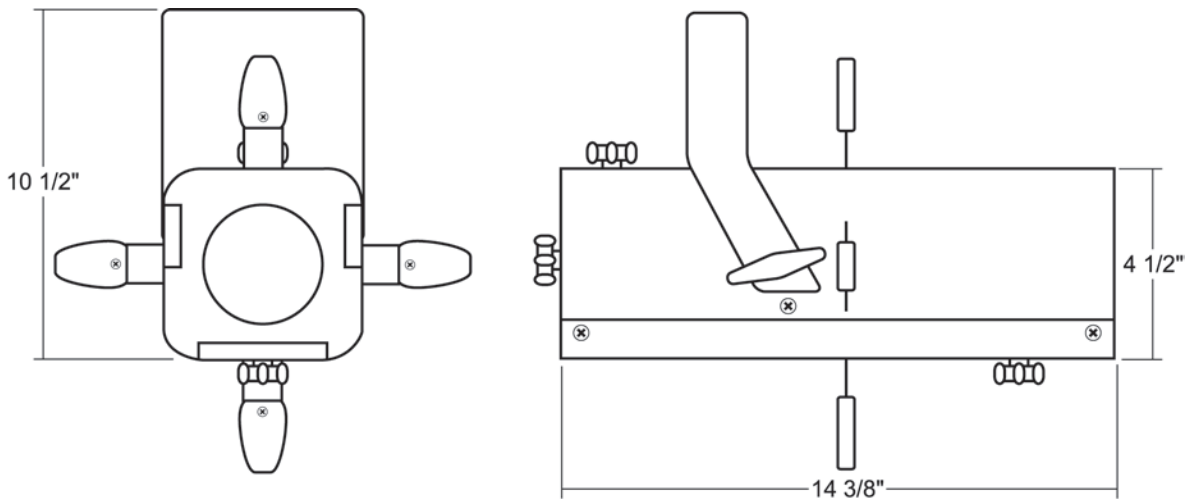
Q325MC 250-500W Ellipsoidal

The Q325MC is a 250 to 500-watt 3.5" ellipsoidal and the most popular of our pattern projectors. Its compact size makes this fixture ideal for small spaces, yet is powerful enough to project effectively with in a 30' range. This unit accepts long lasting lamps up to 500-watts. Features a precision optical lens system which allows you to obtain a medium to wide beam spread all in the same unit, with sharp or soft edged focusing. Comes in standard black powder coated finish. White and custom colors are available by request and at an additional charge.

Features:

- Accepts lamps up to 500-watts
- 15 - 35 ft. throw
- 18°, 25° and 40° beam angles
- Precision optical lens system
- Stainless steel framing shutters
- Built-in pattern slot

Manufactured in the USA - IBEW



Last updated 10/08/2009.

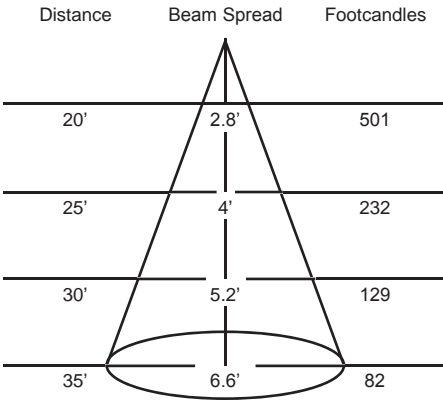
Q325MC 250-500W Ellipsoidal

Specify: Q325MC - - -

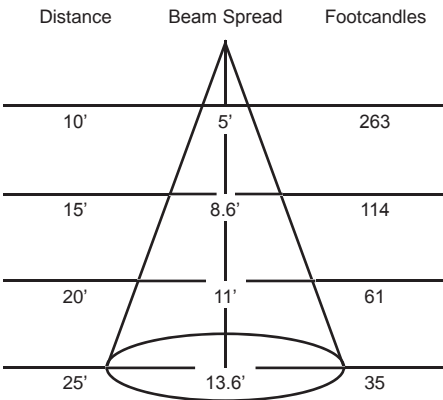
	MODEL NUMBER	FINISH	CONNECTOR (optional)	MOUNTING (optional)	ACCESSORIES (optional)
Example:	Q325MC	-B	-E2867	-TB8	-Q3CF

Photometric Data

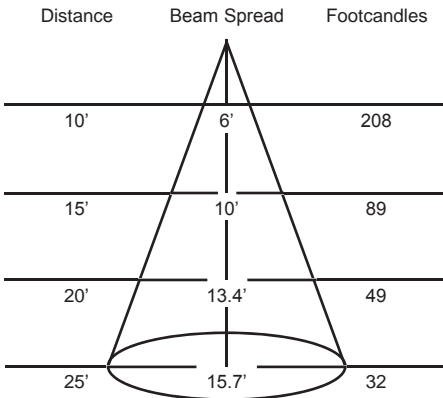
EHV - 18° Spot Position



EHV - 25° Flood Position



EHV - 40° Wide Flood Position



Lamp Types

EHT 250W/120V; 2000Hrs; 5000 Lumens; 3000°K Color Temp

EHV 325W/120V; 500Hrs; 7800 Lumens; 3100°K Color Temp

Q400CL/MC 400W/120V; 2000Hrs; 8250 Lumens; 3000°K Color Temp

EVR 500W/120V; 2000Hrs; 10450 Lumens; 3000°K Color Temp

Mounting Options

See index for details.

TA2S (325W max.)
Track adapter for specification grade 2-circuit track.

TA3 (325W max.)
Track adapter for specification grade 3-circuit track.

US1
Unistrut adapter.

CM4
6" Canopy for permanent mounting on standard 4" octagonal outlet boxes.

TB8
8" x 8" Portable table base for floor or table use.

PC9M
Heavy duty pipe clamp for large, heavy fixtures. For pipes 1/2" to 1 1/2" O.D.

***SC-24**
1/16" diameter, plastic coated steel safety cable with snap ring. Used as added security.

MN
Medium duty pipe clamp for pipes up to 2" O.D.

SC
1/8" diameter, 30" long steel safety cable with snap ring. Used as added security when large or heavy fixtures are being used.

Male Connectors

E2867	Edison Plug
E876	Twist Lock
600G	Stage Pin

Finish

B	Black
W	White
CC	Custom Color

Accessories

CF23	Color Frame
PHM	Pattern Holder
PDM	Pattern Donut
SPM	Stock Pattern Steel
CPM	Custom Pattern Steel
GPM	Custom Pattern Glass
GF23	Glass Color Filter
DF23	Dichroic Color Filter
GF23-702	UV Blocking Filter
CC18	Coiled Cord
SC	Safety Cable

Finish

B	Black
W	White
S	Silver
CC	Custom Color

Patterns

For standard and custom patterns please see index. For a complete list, please contact a Times Square Lighting representative.

Pattern Rotator

PHMR	Dual Pattern Rotator
------	----------------------



*Item included with the purchase of fixture.